

How to reassemble the Rinse Ace Faucet Aerator

The four pieces you need to pre-assemble first, are numbers 3,4,5 and 6

Assemble these four white pieces:

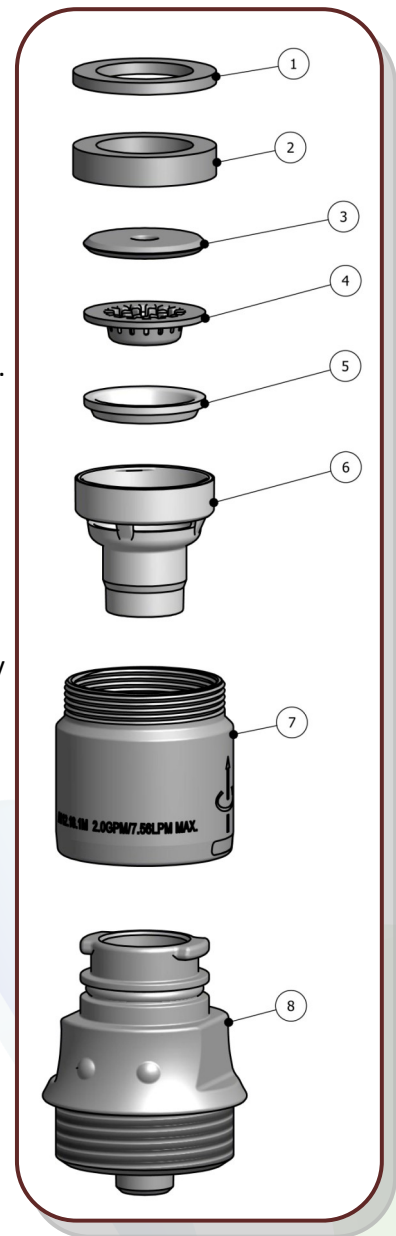
- Place the large tall piece (6) on a table with the narrow tube end down.
- White ring (5) with the ridge is next with the narrowest piece first (it will lay in such a way that it covers the slits in the large white piece about half way).
- White aerator (4) is next (looks like a little hat), hat part first so when it is in you have a flat surface
- White flat washer (3) with the hole in the middle is last and snaps into the assembly. (it should now stay together if correctly assembled)

Now take the assembled part and drop it into the aerator (7), push it in all the way until it snaps into place (even with bottom of threads).

Place the washer depending on the location of the threads (either the thick or the thin one, numbers 1 or 2) If spout is threaded on the **outside**, place **thinner** washer (1) only inside enclosed aerator. If spout is threaded on the **inside**, place **thicker** washer (2) only inside aerator.

Note:

Screw Quick Connect (8) onto hose and Quick Connect to the aerator by lining up the notches with the markings on the aerator.



Questions or comments? Call (800)867-4673 or (262)703-0011.
Or visit <http://rinseace.com/product/3-way-faucet-sprayer>
or www.rinseace.com/product/indoor-outdoor-pet-sprayer
or <http://www.rinseace.com/product/sink-baby-rinser>
or <http://www.rinseace.com/product/deluxe-sink-baby-rinser>
or <http://www.rinseace.com/sink-faucet-rinser>