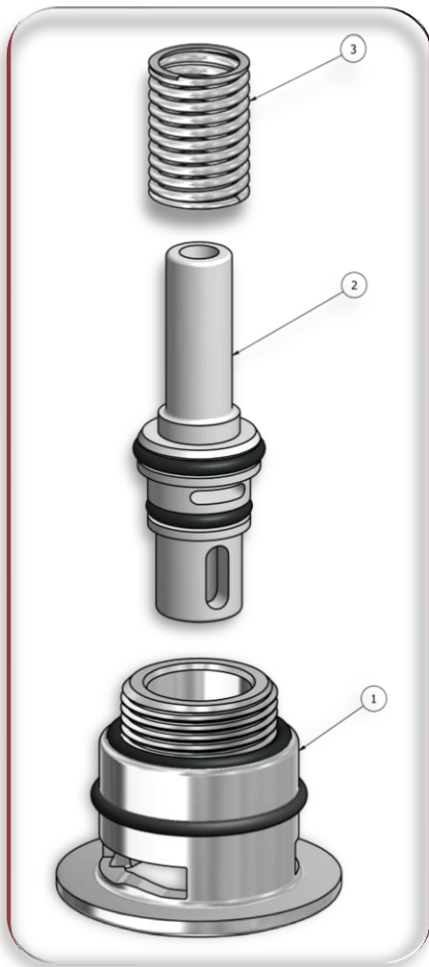


## Cleaning instructions for the Showerheads

### Difficulty plugging in the hose:

Putting a little lubrication on the black o-ring at the end of the hose may help with difficulty plugging in, as well as running a little water through the showerhead before you plug in the hose.

### Clean and lubrication Showerhead:



- Place on table top with the sprayer facing you.
- Unscrew receptacle (1) by plugging hose in center and backing it out. (turning counter clock wise) The receptacle is the circle piece in the middle of the sprayface with the RINSE ACE logo. Tap sprayer face to remove clear valve runner and spring.
- Clean all items gently with toothbrush. Lubricate the two black o-rings on the clear valve (2) runner lightly with Vaseline or plumbers grease.
- Snap shorter end of clear valve runner into the center of receptacle (1)
- Put spring (3) valve runner (2)
- Insert receptacle, valve runner and spring into center cavity of showerhead
- Hold showerhead with one hand and with other hand press down on receptacle with middle fingers. Turn showerhead counterclockwise to allow receptacle to screw into the center cavity.
- Use RINSEACE tabbed hose end to further tighten receptacle into the center cavity.

Hope this resolves your issue, if you continue to have problems, please contact customer service at (800)867-4673. Rinse Ace Products are designed to provide you with years of use. Enjoy!

Any questions or comments?

(800)867-4673 Mon-Th, 7:30 a.m.- 5 p.m. Friday 7:30 -11:30 a.m.