

## Faucet Aerator Reassembly Instructions

The four pieces you need to pre-assemble first, are numbers 3,4,5 and 6

Assemble these four white pieces:

- Place the large tall piece (6) on a table with the narrow tube end down.
- White ring (5) with the ridge is next with the narrowest piece first (it will lay in such a way that it covers the slits in the large white piece about half way).
- White aerator (4) is next (looks like a little hat), hat part first so when it is in you have a flat surface
- White flat washer (3) with the hole in the middle is last and snaps into the assembly. (it should now stay together if correctly assembled)

Now take the assembled part and drop it into the aerator (7), push it in all the way until it snaps into place (even with bottom of threads).

Place the washer depending on the location of the threads (either the thick or the thin one, numbers 1 or 2) If spout is threaded on the **outside**, place **thinner** washer (1) only inside enclosed aerator. If spout is threaded on the **inside**, place **thicker** washer (2) only inside aerator.

### Note:

Screw Quick Connect (8) onto hose and Quick Connect to the aerator by lining up the notches with the markings on the aerator.

### One Year Warranty

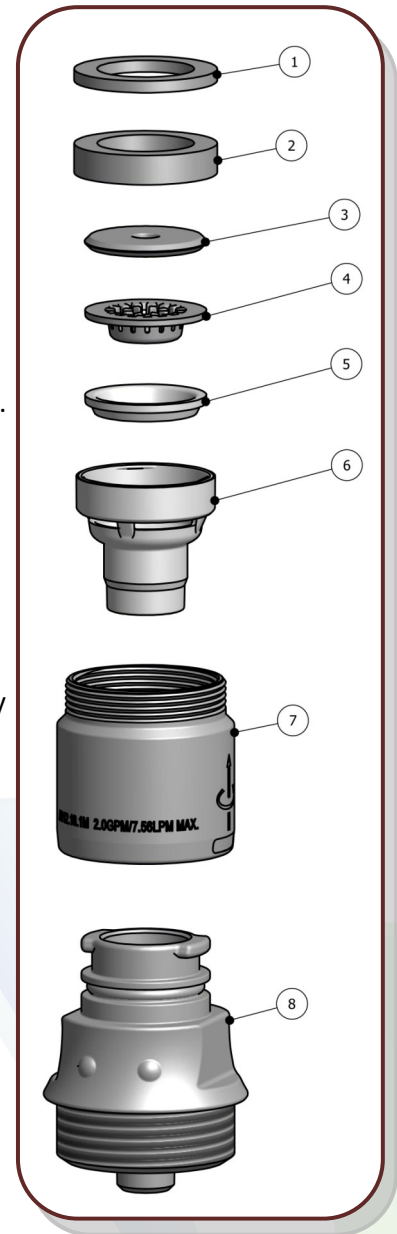
Idea Factory, Inc., warrants this product shall be free of defects in assembly under normal use when properly installed and maintained in accordance with instructions. This warranty does not include damage to the product resulting from misuse, product alteration or improper care and maintenance. This warranty gives you specific legal rights, and you may also have rights that vary from state to state.

If the product should become defective, Idea Factory, Inc., will repair it or elect to replace it free of charge. To obtain warranty service, e-mail [consumerassist@ideafactoryinc.com](mailto:consumerassist@ideafactoryinc.com) or call (800) 867-4673. You may be instructed to return defective product, postage prepaid, to:

Consumer Assistance • Idea Factory, Inc. • N56 W16865 Ridgewood Dr., Suite 200 • Menomonee Falls, WI 53051-5656

Include a return shipping address inside the package. Idea Factory, Inc., will return your product postage prepaid. Allow 2 weeks for delivery. Not responsible for illegible, lost or misdirected mail.

Claims of non-receipt will require you to provide a photocopy of substantiation of your shipment to Idea Factory, Inc.



Questions or comments? Call (800)867-4673 or (262)703-0011.

Or visit <http://rinseace.com/product/3-way-faucet-sprayer>

Or [www.rinseace.com/product/indoor-outdoor-pet-sprayer](http://www.rinseace.com/product/indoor-outdoor-pet-sprayer)